

DS-2CV2021G2-IDW

2 MP EXIR Fixed Bullet Wi-Fi Network Camera



- 1/2.7" Progressive Scan 2MP CMOS
- Built-in dual antenna 2.4G Wi-Fi, up to 120m range in open area
- Built-in microphone and speaker, support two-way audio
- H.265+, H.265, H.264+, H.264
- EXIR, 30m IR range
- IP66 Dust and water proof
- Built-in micro SD/SDHC/SDXC card slot, up to 256 GB



▪ Specification

| Camera | |
|-----------------------------|------------------------------------------------------------------------------------------------------------------------------------------|
| Image Sensor | 1/2.7" Progressive Scan CMOS |
| Min. Illumination | Color: 0.018 Lux @ (F1.6, AGC ON), 0 Lux with IR |
| Shutter Speed | 1/3s to 1/100,000s |
| Slow Shutter | Yes |
| Wide Dynamic Range | Digital WDR |
| Day & Night | ICR Cut |
| Angle Adjustment | Pan: 0° to 360°, tilt: 0° to 90°, rotate: 0° to 360° |
| Lens | |
| Lens Type & FOV | 2.8 mm, horizontal FOV: 112°, vertical FOV: 59°, diagonal FOV: 134°; 4 mm, horizontal FOV: 91°, vertical FOV: 48°, diagonal FOV: 109° |
| Aperture | F1.6 |
| Lens Mount | M12 |
| Illuminator | |
| IR Range | Up to 30 m |
| Wavelength | 850 nm |
| Smart Supplement Light | Yes |
| Video | |
| Max. Resolution | 1920 × 1080 |
| Main Stream | 50Hz:25 fps (1920 × 1080, 1280 × 720) 60Hz:30 fps (1920 × 1080, 1280 × 720) |
| Sub Stream | 50Hz: 25 fps (640 × 360) 60Hz: 30 fps (640 × 360) |
| Video Compression | Main stream/Sub-stream: H.265/H.264 |
| Video Bit Rate | 32 Kbps to 8 Mbps |
| H.264 Type | Baseline Profile/Main Profile |
| H.265 Type | Main Profile |
| H.264+ | Main stream supports |
| H.265+ | Main stream supports |
| Stream Type | Main stream and sub-stream |
| Audio | |
| Environment Noise Filtering | Yes |
| Audio Sampling Rate | 8 kHz/16 kHz |
| Audio Compression | G.711/G.722.1/G.726/MP2L2/PCM |
| Audio Bit Rate | 64Kbps(G.711)/16Kbps(G.722.1)/16Kbps(G.726)/32-192Kbps(MP2L2) |
| Audio Type | Mono sound |
| Network | |
| Alarm Trigger | Motion detection, illegal login |
| Simultaneous Live View | Up to 6 channels |
| API | ISAPI, SDK |
| Protocols | TCP/IP, ICMP, DHCP, DNS, DDNS, HTTP, RTP, RTSP, NTP, UPnP, IGMP, IPv6, UDP, QoS, Bonjour |

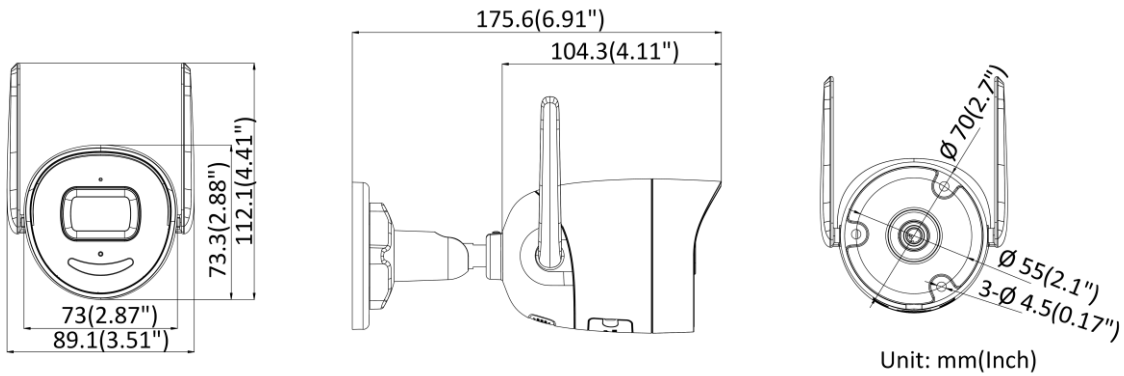
| | |
|----------------------------------|----------------------------------------------------------------------------------------------------------------------|
| User/Host | Up to 32 users 3 levels: administrator, operator and user |
| Security | Password protection, complicated password, IP address filter, Watermark |
| Network Storage | MicroSD/SDHC/SDXC card (max. 256 GB), local storage and NAS (NFS, SMB/CIFS), auto network replenishment (ANR) |
| Client | Wired network: Hik-Connect, iVMS-4200 Wi-Fi: iVMS-4200 |
| Web Browser | Plug-in required live view: IE8, IE9, IE10, IE11 Local service: Chrome 57.0+, Firefox 52.0+ |
| Image | |
| Day/Night Switch | Day/Night/Auto/Schedule |
| Image Enhancement | BLC, HLC, 3D DNR |
| Image Parameters Switch | Yes |
| Image Settings | Saturation, brightness, contrast, sharpness, AGC, and white balance are adjustable by client software or web browser |
| SNR | ≥ 52 dB |
| Interface | |
| Audio | 1 built-in microphone, 1 built-in speaker |
| On-board Storage | Built-in micro SD/SDHC/SDXC slot, up to 256 GB |
| Hardware Reset | Yes |
| Communication Interface | 1 RJ45 10M/100M self-adaptive Ethernet port |
| General | |
| Linkage Method | Upload to FTP/NAS/memory card, notify surveillance center, trigger record, trigger capture, audible warning |
| Online Upgrade | Yes |
| Firmware Version | V5.5.101 |
| Web Client Language | English |
| General Function | Anti-flicker, heartbeat, mirror, password protection, reset password via e-mail |
| Storage Conditions | -30 °C to 50 °C (-22 °F to 122 °F) |
| Startup and Operating Conditions | -30 °C to 50 °C (-22 °F to 122 °F) |
| Power Supply | 12 VDC ± 25% |
| Power Consumption and Current | 12 VDC, max. 7.2 W |
| Power Interface | Ø5.5 mm coaxial power plug |
| Material | Front cover: metal, back cover: plastic |
| Camera Dimension | 175.6 × 73.0 × 89.1mm (6.91" × 2.87" × 3.51") |
| Package Dimension | 260 × 125 × 125 mm (10.24" × 4.92" × 4.92") |
| Camera Weight | 450 g (0.99 lb.) |
| With Package Weight | 770 g (1.70 lb.) |

| Approval | |
|-------------------|-------------------------------------------------------------------------------------------------------------------------------------------------------------------------------------------------------------------------------------------------------------------------------------------------------------------------------------------------------------------------------------------------------------------------------------------------------------------------------------------------------------------------------------------------------------------------------------------------------------------------------------------------------------------------------------------------------------------------------------------------------------|
| EMC | FCC (47 CFR Part 15, Subpart B); CE-EMC (EN 55032: 2015, EN 61000-3-2: 2014, EN 61000-3-3: 2013, EN 50130-4: 2011 +A1: 2014); RCM (AS/NZS CISPR 32: 2015); IC (ICES-003: Issue 6, 2016); KC (KN 32: 2015, KN 35: 2015) |
| RF | FCC ID (FCC Part 15.247(BT or 2.4G)); IC ID (RSS-247(BT or 2.4G)); CE-RED (EN 301489-1 V2.1.1(BT or 2.4G); EN 301489-17 V3.1.1(BT or 2.4G); EN 300328 V2.1.1(BT or 2.4G); EN 62311:2008(BT or 2.4G)); WPC (EN 301 489-1 V2.1.1(BT or 2.4G); EN 301 489-17 V3.1.1(BT or 2.4G); EN 300 328 V2.1.1(BT or 2.4G); EN 62311:2008(BT or 2.4G); EN 55032:2015; EN 61000-3-2:2014; EN 61000-3-3:2013; EN 50130-4:2011 +A1:2014); KC (KN 32:2015; KN 35: 2015; KN 301489-1; KN 301489-17); ICASA (EN 301 489-1 V2.1.1(BT or 2.4G); EN 301 489-17 V3.1.1(BT or 2.4G); EN 300 328 V2.1.1(BT or 2.4G); EN 62311:2008(BT or 2.4G); EN 55032:2015; EN 61000-3-2:2014; EN 61000-3-3:2013; EN 50130-4:2011 +A1:2014; EN 60950-1:2005 + Am 1:2009 + Am 2:2013) |
| Safety | UL (UL 60950-1); CB (IEC 60950-1:2005 + Am 1:2009 + Am 2:2013); CE-LVD (EN 60950-1:2005 + Am 1:2009 + Am 2:2013); BIS (IS 13252(Part 1):2010+A1:2013+A2:2015); LOA (IEC/EN 60950-1) |
| Environment | CE-RoHS (2011/65/EU); WEEE (2012/19/EU); Reach (Regulation (EC) No 1907/2006) Reach Regulation (EC) No 1907/2006 |
| Protection | Ingress protection: IP66 (IEC 60529-2013) |
| Wi-Fi | |
| Encryption Mode | 64/128-bit WEP, WPA-EAP/WPA2-EAP, WPA-PSK/WPA4-PSK |
| Wi-Fi Protocol | IEEE802.11b, 802.11g, 802.11n |
| Frequency Range | 2.4 GHz - 2.4835 GHz |
| Channel Bandwidth | 20/40 MHz |
| Modulation | 802.11b: CCK, QPSK, BPSK 802.11g/n: OFDM |
| Wireless Range | Up to 120 m (The performance varies based on actual environment) |

▪ Available Model

DS-2CV2021G2-IDW (2.8 mm, 4 mm)

▪ Dimension



▪ Accessory



DS-1280ZJ-XS
Junction Box

Distributed by



HIKVISION®

Headquarters

No.555 Qianmo Road, Binjiang District,
Hangzhou 310051, China
T +86-571-8807-5998
overseasbusiness@hikvision.com

Hikvision USA
T +1-909-895-0400
sales.usa@hikvision.com

Hikvision Australia
T +61-2-8599-4233
salesau@hikvision.com

Hikvision India
T +91-22-28469900
sales@pramahikvision.com

Hikvision Canada
T +1-866-200-6690
sales.canada@hikvision.com

Hikvision Thailand
T +662-275-9949
sales.thailand@hikvision.com

Hikvision Europe
T +31-23-5542770
sales.eu@hikvision.com

Hikvision Italy
T +39-0438-6902
info.it@hikvision.com

Hikvision Brazil
T +55 11 3318-0050
Latam.support@hikvision.com

Hikvision Turkey
T +90 (216)521 7070- 7074
sales.tr@hikvision.com

Hikvision Malaysia
T +601-7652-2413
sales.my@hikvision.com

Hikvision UK & Ireland
T +01628-902140
sales.uk@hikvision.com

Hikvision South Africa
Tel: +27 (10) 0351172
sale.africa@hikvision.com

Hikvision France
T +33(0)1-85-330-450
info.fr@hikvision.com

Hikvision Kazakhstan
T +7-727-9730667
nikia.panfilov@hikvision.ru

Hikvision Vietnam
T +84-974270888
sales.vt@hikvision.com

Hikvision UAE
T +971-4-4432090
salesme@hikvision.com

Hikvision Singapore
T +65-6684-4718
sg@hikvision.com

Hikvision Spain
T +34-91-737-16-55
info.es@hikvision.com

Hikvision Tashkent
T +99-87-1238-9438
uzb@hikvision.ru

Hikvision Hong Kong
T +852-2151-1761
info.hk@hikvision.com

Hikvision Russia
T +7-495-669-67-99
saleru@hikvision.com

Hikvision Korea
T +82-(0)31-731-8817
sales.korea@hikvision.com

Hikvision Poland
T +48-22-460-01-50
info.pl@hikvision.com

Hikvision Indonesia
T +62-21-2933759
Sales.Indonesia@hikvision.com

Hikvision Colombia
sales.colombia@hikvision.com