

## DS-2TP31B-3AUF

Thermography Thermal Camera



The thermal camera has a special design and one of its functions is detect temperature in real time. It is equipped with a 160×120 resolution thermal detector, can be widely used for preliminary temperature screening to the maintenance in office buildings, factories, stations, airports, etc.

### Key Features

- 160 × 120 resolution
- Thermographic accuracy up to  $\pm 0.5$  °C
- 320 × 240 resolution 2.4" LCD display
- Built-in rechargeable Li-ion battery
- Up to 8 hours continuous running

### Functions

#### Thermography

Device detects the real-time temperature, and display it on the screen.

#### Storage

Device is equipped with replaceable memory card to store recorded captured snapshots, and important data.

#### Palette

Device supports 4 palettes.



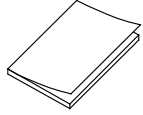
## Specification

Model		DS-2TP31B-3AUF
Parameter		Thermographic Camera
<b>Thermal Module</b>	Image sensor	Uncooled Focal Plane Arrays
	Max. Resolution	160 × 120
	Pixel Pitch	17μm
	Response waveband	8μm to 14μm
	NETD	< 40mK (@ 25 °C,F#=1.0)
	Field of View	37.2° × 50 °
	Focal length	3.1 mm
	IFOV (mrad)	5.48 mrad
	Min. Focus Length	≥ 150 mm
	Aperture	F 1.1
<b>Image Display</b>	Monitor	320 × 240 resolution 2.4'' LCD display
	Palettes	Black hot, White hot, Rainbow, Ironbow
<b>Thermography</b>	Rules	3 thermometry points: Max. Temperature; Min. Temperature; Center Temperature
	Thermographic Range	30°C to 45 °C
	Thermographic Accuracy	±0.5 °C
<b>Battery</b>	Battery Type	Rechargeable Lithium Battery
	Battery Operating Time	8 hours continuous running
	Storage	Replaceable memory card (default 8G, support up to 128G storage)
	Photo	Thermal image
	Language	English
<b>General</b>	Power	3.7 V DC/0.4 A
	Power Consumption	Less than 1.2 W
	Hardware Interface	micro USB
	Working Temperature	10 °C to 35 °C
	Protection level	IP54
	Drop Test Height	2 m (6.56 feet)
	Dimension	196 mm × 117 mm × 59 mm (7.7 " × 4.6 " × 2.3 ")
	Weight	Approx. less than 350 g (0.77 lb)
Accessory	Power Adaptor, USB cable, 8GB memory card, User manual, Disk, Wrist Strap	

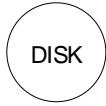
---

**Order Models**  
DS-2TP31B-3AUF

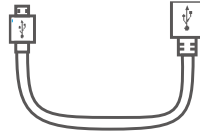
**Box Content**



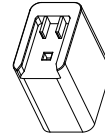
User Manual (x1)



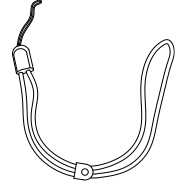
Disk (x1)



USB Cable (x1)

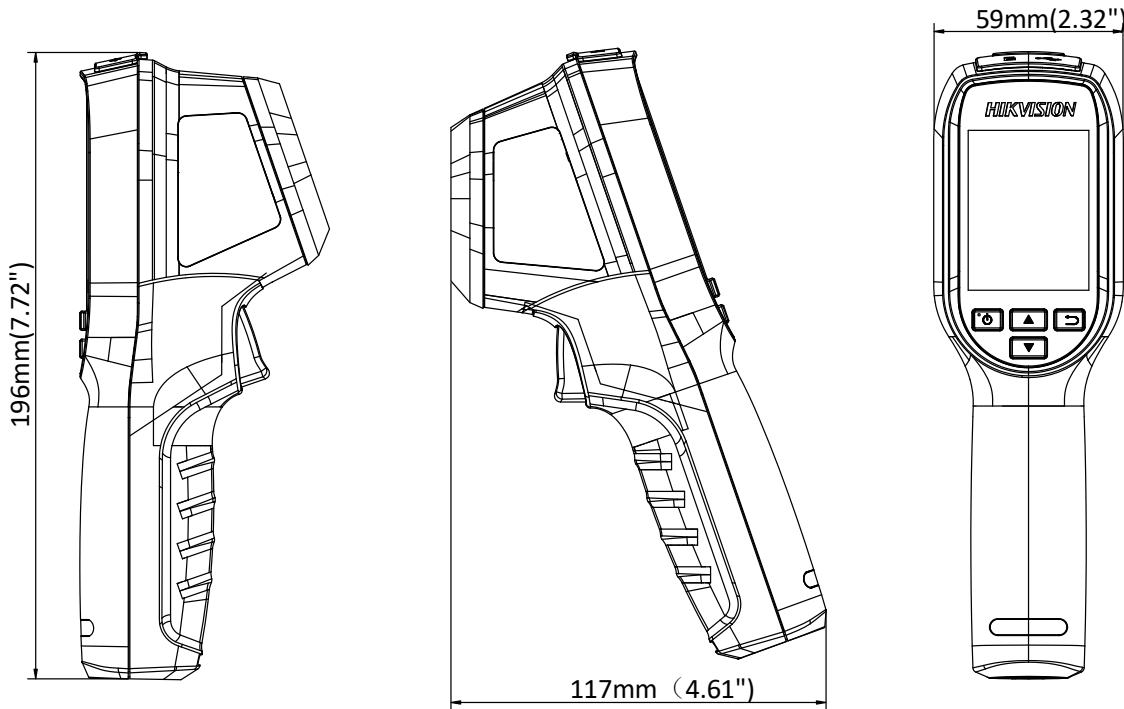


power Adapter  
(x1)



Wrist Strap (x1)

## Dimension



Distributed by



## HIKVISION®

### Headquarters

No.555 Qianmo Road, Binjiang District,  
Hangzhou 310051, China  
T +86-571-8807-5998  
overseasbusiness@hikvision.com

**Hikvision USA**  
T +1-909-895-0400  
sales.usa@hikvision.com

**Hikvision Australia**  
T +61-2-8599-4233  
salesau@hikvision.com

**Hikvision India**  
T +91-22-28469900  
sales@pramahikvision.com

**Hikvision Canada**  
T +1-866-200-6690  
sales.canada@hikvision.com

**Hikvision Thailand**  
T +662-275-9949  
sales.thailand@hikvision.com

**Hikvision Europe**  
T +31-23-5542770  
sales.eu@hikvision.com

**Hikvision Italy**  
T +39-0438-6902  
info.it@hikvision.com

**Hikvision Brazil**  
T +55 11 3318-0050  
Latam.support@hikvision.com

**Hikvision Turkey**  
T +90 (216)521 7070- 7074  
sales.tr@hikvision.com

**Hikvision Malaysia**  
T +601-7652-2413  
sales.my@hikvision.com

**Hikvision UK & Ireland**  
T +01628-902140  
sales.uk@hikvision.com

**Hikvision South Africa**  
Tel: +27 (10) 0351172  
sale.africa@hikvision.com

**Hikvision France**  
T +33(0)1-85-330-450  
info.fr@hikvision.com

**Hikvision Kazakhstan**  
T +7-727-9730667  
nikia.panfilov@hikvision.ru

**Hikvision Vietnam**  
T +84-974270888  
sales.vt@hikvision.com

**Hikvision UAE**  
T +971-4-4432090  
salesme@hikvision.com

**Hikvision Singapore**  
T +65-6684-4718  
sg@hikvision.com

**Hikvision Spain**  
T +34-91-737-16-55  
info.es@hikvision.com

**Hikvision Tashkent**  
T +99-87-1238-9438  
uzb@hikvision.ru

**Hikvision Hong Kong**  
T +852-2151-1761  
info.hk@hikvision.com

**Hikvision Russia**  
T +7-495-669-67-99  
saleru@hikvision.com

**Hikvision Korea**  
T +82-(0)31-731-8817  
sales.korea@hikvision.com

**Hikvision Poland**  
T +48-22-460-01-50  
info.pl@hikvision.com

**Hikvision Indonesia**  
T +62-21-2933759  
Sales.Indonesia@hikvision.com

**Hikvision Colombia**  
sales.colombia@hikvision.com