

IPC-T621H-Z 2 MP IR VF Network Turret Camera



Key Features

- 1/2.7" progressive scan CMOS
- 1920 × 1080@30fps
- 2.8 mm to 12 mm varifocal lens
- H.265+, H.265, H.264+, H.264
- Dual stream
- 3D DNR
- Up to 30 m IR range
- IP67

Specifications

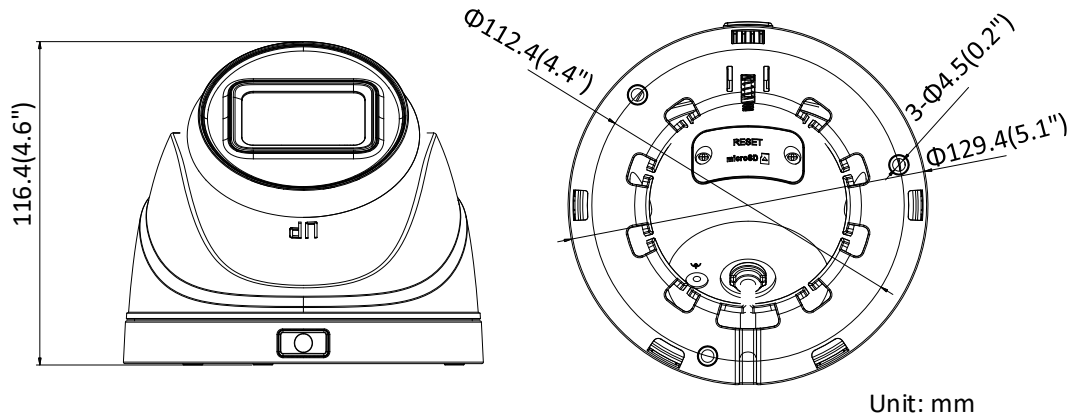
| Camera | |
|--------------------------------|---|
| Image Sensor | 1/2.7" progressive scan CMOS |
| Min. Illumination | Color: 0.01 Lux @ (F1.2, AGC ON), 0.02 Lux @ (F1.6, AGC ON) |
| Shutter Speed | 1/3 s to 1/100,000 s |
| Slow Shutter | Yes |
| Auto-Iris | No |
| Day & Night | IR cut filter with auto switch |
| 3-Axis Adjustment | Pan: 0° to 360°, tilt: 0° to 75°, rotation: 0° to 360° |
| DNR (Digital Noise Reduction) | 3D DNR |
| WDR (Wide Dynamic Range) | DWDR |
| Lens | |
| Focal Length | 2.8 to 12 mm |
| Aperture | F1.6 |
| Focus | Auto |
| FOV | Horizontal FOV 108.5° to 33.2°, vertical FOV 57.5° to 18.8°, diagonal FOV 130° to 38° |
| Lens Mount | Ø14 |
| IR | |
| IR Range | Up to 30 m |
| Wavelength | 850nm |
| Compression Standard | |
| Video Compression | Main stream: H.265/H.264 Sub stream: H.265/H.264/MJPEG |
| H.264 Type | Baseline profile/Main profile/High profile |
| H.264+ | Main stream supports |
| H.265 Type | Main profile |
| H.265+ | Main stream supports |
| Video Bit Rate | 32 Kbps to 8 Mbps |
| Smart Feature-set | |
| Region of Interest | Support 1 fixed region for main stream |
| Image | |
| Max. Resolution | 1920 × 1080 |
| Main Stream Max. Frame Rate | 50Hz: 25fps (1920 × 1080, 1280 × 960, 1280 × 720) 60Hz: 30fps (1920 × 1080, 1280 × 960, 1280 × 720) |
| Sub-stream Max. Frame Rate | 50Hz: 25fps (640 × 480, 640 × 360, 320 × 240) 60Hz: 30fps (640 × 480, 640 × 360, 320 × 240) |
| Image Enhancement | BLC/3D DNR |
| Image Settings | Brightness, saturation, contrast, sharpness are adjustable via web browser or client software |
| Day/Night Switch | Support auto, scheduled, day, night |
| Network | |
| Alarm Trigger | Motion detection, video tampering, network disconnected, IP address conflict, illegal login, HDD error, HDD full |
| Network Storage | Support built-in microSD/SDHC/SDXC card (128G), local storage and ANR |
| Protocols | TCP/IP, ICMP, HTTP, HTTPS, FTP, DHCP, DNS, DDNS, RTP, RTSP, RTCP, NTP, UPnP, SMTP, IGMP, 802.1X, QoS, IPv6, Bonjour |
| General Function | One-key reset, heartbeat, mirror, password protection, privacy mask, watermark, IP address filter |
| Firmware Version | V5.5.52 |
| API | ONVIF(PROFILE S,PROFILE G), ISAPI |

| | |
|-------------------------|--|
| Simultaneous Live View | Up to 6 channels |
| User/Host | Up to 32 users 3 levels: Administrator, Operator and User |
| Client | HiLookVision PC Client, HiLookVision App |
| Web Browser | IE8+, Chrome 41.0-44, Firefox 30.0-51, Safari 8.0-11 |
| Interface | |
| Communication Interface | 1 RJ45 10M/100M self-adaptive Ethernet port |
| On-board Storage | Built-in microSD/SDHC/SDXC slot, up to 128 GB |
| Reset Button | Yes |
| General | |
| Operating Conditions | -30 °C to 60°C (-22 °F to 140°F), humidity: 95% or less (non-condensing) |
| Power Supply | 12 VDC ± 25%, PoE (802.3af), class 3 |
| Power Consumption | 12 VDC, 0.9 A, Max. 10.5 W PoE (802.3af, 36 V to 57 V), 0.4 A to 0.2 A, Max. 12 W |
| Ingress Protection | IP 67 |
| Material | Camera body: metal, bottom base: plastic |
| Dimensions | Camera: Ø 129.4 mm × 116.4 mm (5.1" × 4.6") With package: 170 mm × 170 mm × 150 mm (6.7" × 6.7" × 5.9") |
| Weight | Camera: 560 g (1.2 lb.) With package: 850g (1.9 lb.) |

Available Model

IPC-T621H-Z(2.8 to 12 mm)

Dimensions



Unit: mm

Accessories



DS-1273ZJ-130-TRL
Wall Mount



DS-1271ZJ-130-TRL
Pendant Mount



DS-1275ZJ
Vertical Pole Mount



DS-1276ZJ
Corner Mount



DS-1280ZJ-M
Junction Box



DS-1281ZJ-M
Inclined Ceiling Mount