

E50-TURBO-W

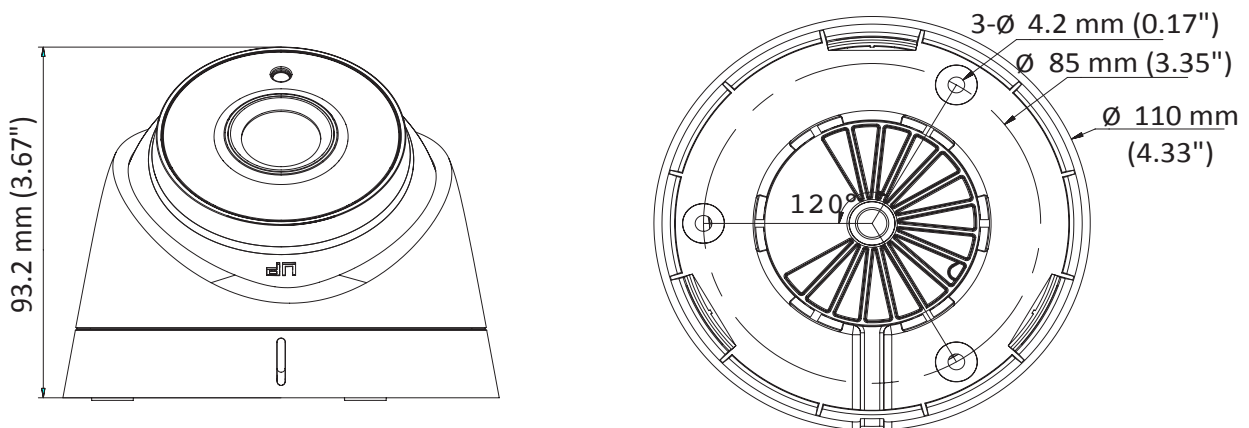
5 MP Turret Camera

Key Features

- 5 MP high performance COMS
- 2560 × 1944 resolution
- 2.8 mm fixed lens
- EXIR 2.0, smart IR, up to 40 m IR distance
- OSD menu, 2D DNR, DWDR
- 4 in 1 video output (switchable TVI/AHD/CVI/CVBS)
- IP67
- Up the coax (HIKVISION-C)



Dimension



Specifications

Camera	
Image Sensor	5 MP CMOS image sensor
Resolution	2560 (H) × 1944 (V)
Min. Illumination	Color: 0.01 Lux @ (F1.2, AGC ON), 0 Lux with IR
Shutter Time	PAL: 1/25 s to 1/50, 000 s NTSC: 1/30 s to 1/50, 000 s
Lens	2.8 mm fixed lens
Horizontal Field of View	85.5° (2.8 mm), 80.1° (3.6 mm), 57.1° (6 mm), 41°(8 mm), 25.7° (12 mm)
Lens Mount	M12
Day & Night	IR cut filter
Angle Adjustment P	an: 0°to 360°; Tilt: 0°to 75°; Rotate: 0°to 360°
Synchronization	Internal synchronization
Frame Rate	PAL: 5 MP@20fps, 4MP@25fps, 1080p@25fps NTSC: 5MP@20fps, 4MP@30fps, 1080p@30fps
Menu	
AGC Support	Support
D/N Mode	Auto/Color/BW (Black and White)
White Balance	ATW/MWB
BLC	Support
DWDR (Digital Wide Dynamic Range)	Support
Language	English
Functions	Brightness, Sharpness, DNR, Mirror, Smart IR
Interface	
Video Output	1 HD analog output
Switch Button	TVI/AHD/CVI/CVBS
General	
Operating Conditions	-40 °C to 60 °C (-40 °F to 140 °F), humidity: 90% or less (non-condensation)
Power Supply	12 VDC ±25%
Power Consumption	Max. 4.3 W
Protection Level	IP67
Material	Enclosure: Plastic Main body: Metal
IR Range	Up to 40 m
Dimensions	Ø 110 mm × 93.2 mm (Ø 4.33" × 3.67")
Weight	350 g (0.77 lb.)