

HDB242

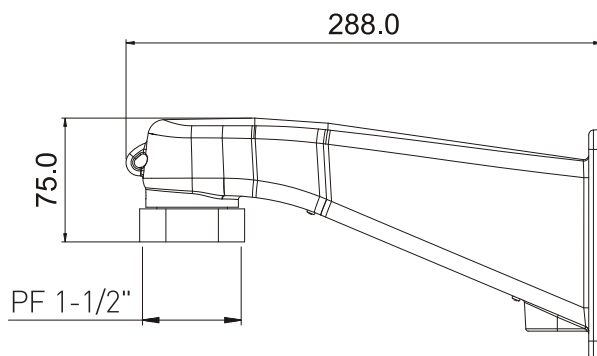
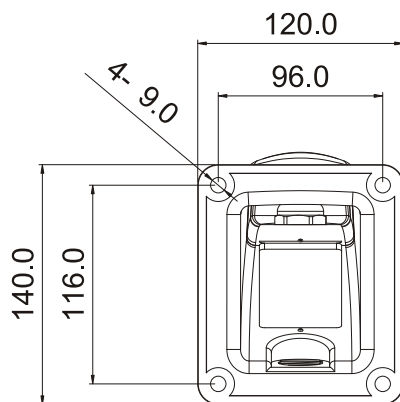
Light Duty, Wall Mount, Enclosure

PRODUCT FEATURES

- Light duty Wall Mount
- Die cast and aluminum
- Maximum load 19.8 lb (9.0kg)
- Easy and safe to instal
- Equipped and with the PT plug

The HDB242 is light duty ceiling mount designed for use with enclosure.

This mount is for use in ceiling mounting applications and is capable of supporting loads up to 19.8 lb (9.0kg).



SPECIFICATION

GENERAL

Enclosure mounting	machine screw (supplied).
Construction	Die cast and aluminum
Finish	Light-gray polyester power coat
Maximum load	19.8 lb (9.0kg)
Inlet Dimension	PF 1-1/2"
Dimension	See dimensional outline
Weight	Unit Shipping
	3.97 lb (1.8Kg) 4.63 lb (2.1Kg)

RECOMMENDED ENCLOSURE

HDH302-SH	Light duty enclosure
HDH302	Light duty enclosure
HDH304-SH	Light duty enclosure
HDH304	Light duty enclosure
HAD24xxx Series	Light duty enclosure

SYSCOM video