

# HDB241

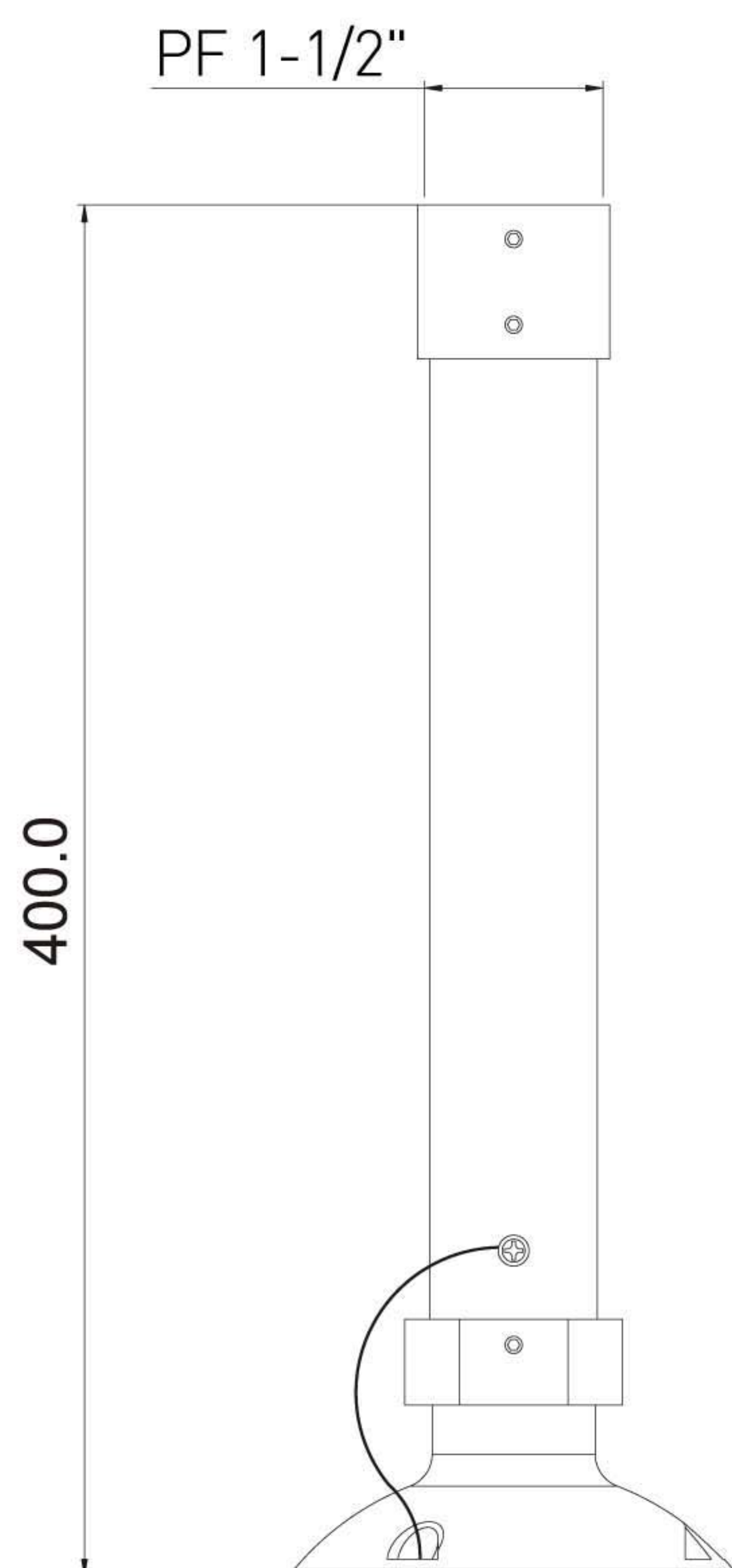
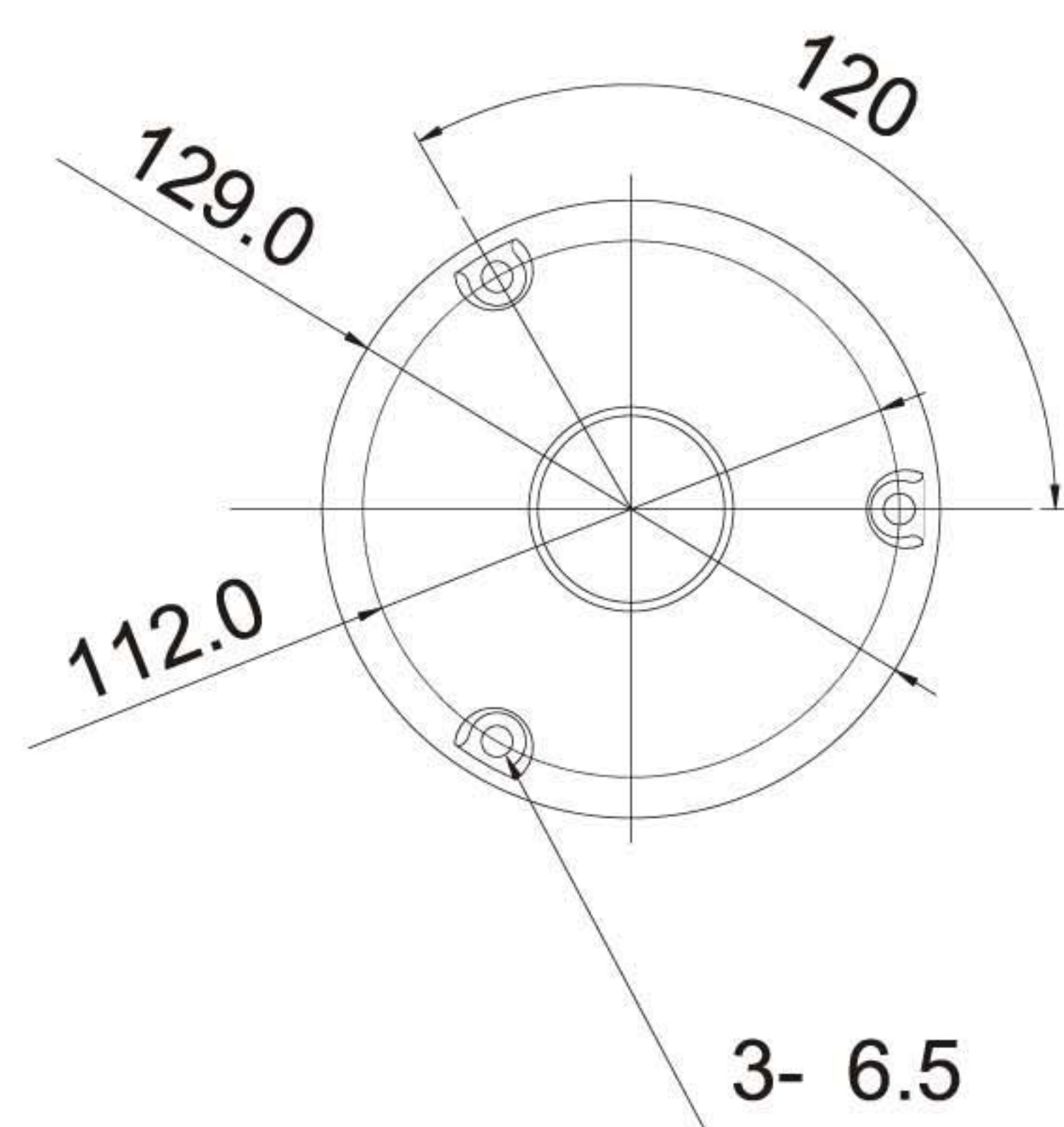
Light Duty, Ceiling Mount, Enclosure

## PRODUCT FEATURES

- Light duty Ceiling Mount
- Die cast and aluminum
- Maximum load 19.8 lb ( 9.0kg )
- Easy and safe to install

The HDB241 is light duty ceiling mount designed for use with enclosure.

This mount is for use in ceiling mounting applications and is capable of supporting loads up to 19.8 lb ( 9.0kg ).



## SPECIFICATION

### GENERAL

Enclosure mounting	machine screw (supplied).
Construction	Die cast and aluminum
Finish	Light-gray polyester power coat
Maximum load	19.8 lb (9.0kg)
Inlet Dimension	PF 1-1/2"
Dimension	See dimensional outline
Weight	Unit                      Shipping
	2.65 lb (1.2Kg)      3.30 lb (1.5Kg)

### RECOMMENDED ENCLOSURE

HDH302-SH	Light duty enclosure
HDH302	Light duty enclosure
HDH304-SH	Light duty enclosure
HDH304	Light duty enclosure
HAD24xxxx Series	Light duty enclosure

**SYSCOM** video