

MODEL NO.: HCS805

SIZE : H x ϕ 68 mm

MATERIAL : PLASTIC & ALUMINUM

ADJUSTABLE ANGLE : PAN: 360 Degree

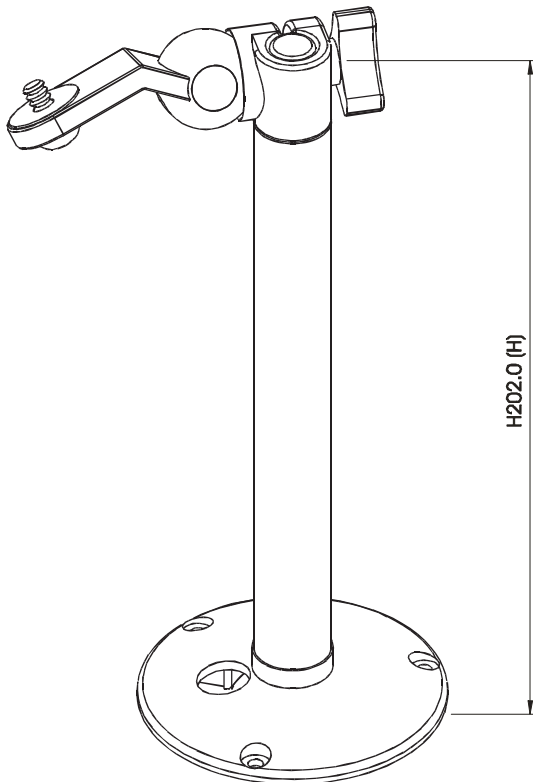
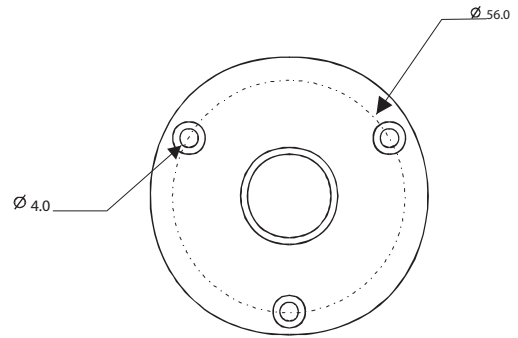
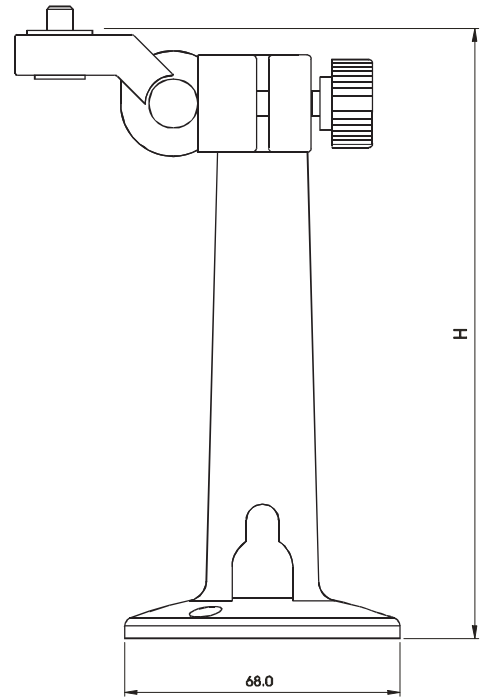
TILT: +0 Degree

-90 Degree

MAX LOAD : 3.5 Kg

Model No.	MRP Code	H	Material	Color	Remark
HCS-805E	05501803	144.0	Plastic	White	With Packing
HCS-805F	05501804	124.0	Plastic	White	With Packing
HCS-805G	05501805	144.0	Plastic	Black	With Packing
HCS-805H	05501806	124.0	Plastic	Black	With Packing

SYSCOM video



MODEL NO. : HCS-8M5

SIZE : H x ϕ 80 mm

MATERIAL : ALUMINUM

ADJUSTABLE ANGLE : PAN: 360 Degree

TILT: +0 Degree

-90 Degree

MAX LOAD : 5.5 Kg

