

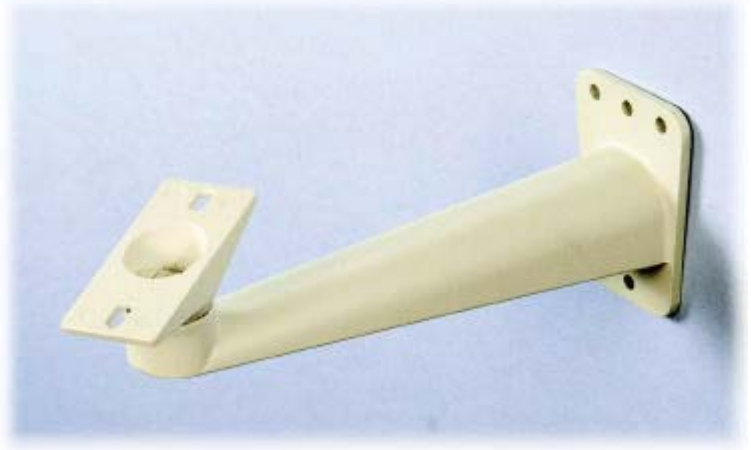
# HCS160 Mount

Light Duty, Wall Mount, Enclosure



## PRODUCT FEATURES

- . Light duty wall mount
- . Adjustable swivel head
- . Die cast and aluminum
- . Cable feedthrough hole conceals wiring
- . Low cost wall mount
- . Maximum load 20 lb ( 9.0kg )



The HCS160 is light duty wall mount designed for use with enclosure.  
This mount is for use in wall mounting applications and is capable of supporting loads up to 20 lb ( 9.0kg ).

## SPECIFICATION

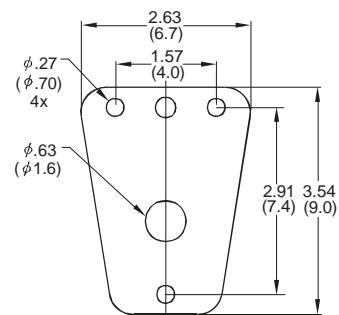
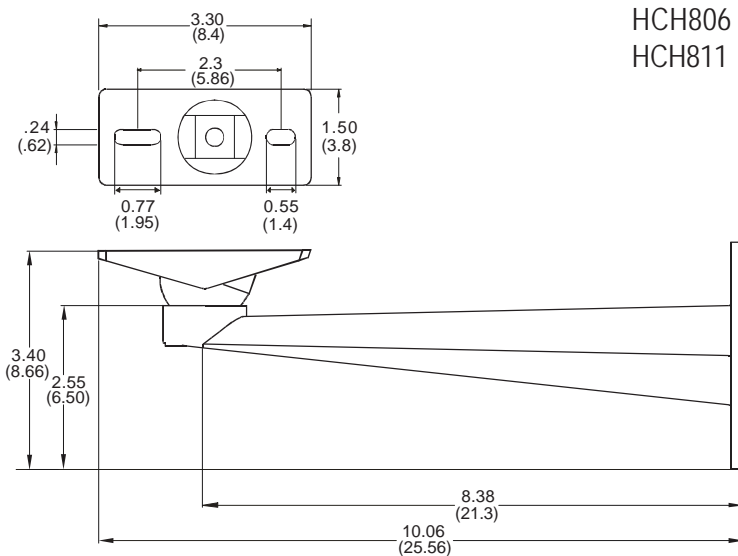
### GENERAL

Pan adjustment	Unlimited 360°
Tilt adjustment	75° (up or down)
Enclosure mounting	Two (2) 1 / 4 - 20 X .315 hex head machine screw (supplied).

Construction	Die cast and aluminum	
Finish	Light-gray polyester power coat	
Maximum load	20 lb ( 9.0kg )	
Dimension	See dimensional outline	
Weight	Unit	Shipping
	0.57 lb (0.26Kg)	0.70 lb (0.32Kg)

### RECOMMENDED ENCLOSURE

HCH808	Light duty enclosure
HCH806	Light duty enclosure
HCH811	Light duty enclosure



Unit: cm(inch)