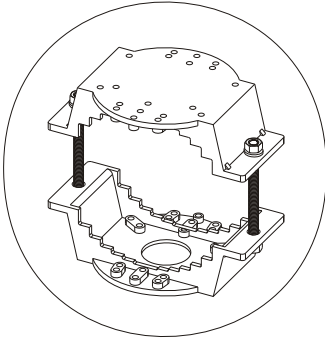


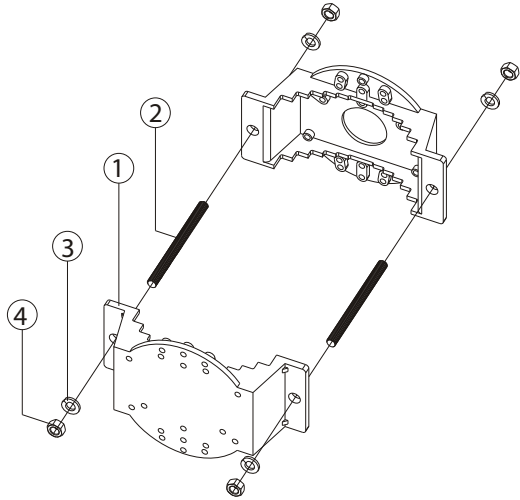
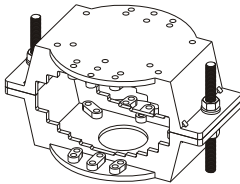
POLE MOUNT BRACKET INSTALLATION

- Attach the pole mount to the pole by inserting the (M8x100L) bolts between the two halves of the pole mount as illustrated in the figure. Secure the pole mount halves together using the nut (M8) and spring washer (M8). The pole mount must be attached to a structure or suitable material capable of supporting the final mount assembly.

Align the (wall) mount bracket holes to the pole mount plate holes and secure the bracket using the machine screws (M6x20L or M6x14L).



[INSTALLING PLATE AT THE POLE]



[POLE MOUNT ASSEMBLY - EXPLODED VIEW]

➤ **PART LIST**

NO	PART NAME	QTY	DESCRIPTION
1	POLE MOUNT PLATE	2	Aluminum, light gray polyester powder coat
2	BOLT	2	M8x100L
3	HEX NUT	4	M8 type
4	SPRING WASHER	4	M8 type
5	MACHINE SCREW	4	PH M6x14L
6	MACHINE SCREW	8	PH M6X20L